

Technical Information

No. DO 5257

Edition: 07/08 subject to change

supersedes: 09/04

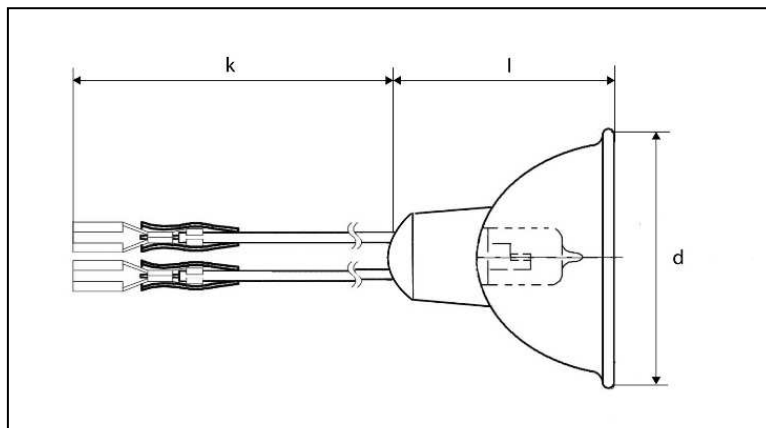
Status: valid

Halogen Reflector Lamp
for Airfield Lighting


64331 SP-A

■ Product description

The OSRAM 64331 SP-A is a tungsten halogen lamp for applications like approach, runway edge, threshold, touchdown zone, as well as for runway and taxiway lighting.



■ Technical data

Order reference		64331 SP-A 30-10
ANSI		-
Maximum operation current	A	6.6
Connector	 A	female ¹
Rated lamp wattage	W	30
Maximum initial wattage	W	32
Average life	h	1,000
Color temperature	K	3,300
Axial luminous intensity	cd	18,000
Minimum axial luminous intensity	cd	16,000
Axial luminous intensity after 750 h	cd	min. 75% of initial value
Reflector type		MR 16 spot reflector
Reflector diameter (d)	mm	max. 50.4
Length (l)	mm	max. 48.0
Cable length (k)	mm	min. 125

■ Lamp operation

Burning position		horizontal
Maximum pinch temperature	°C	350
Chromaticity		within white boundaries as defined in Annex 14 to the Convention of International Civil Aviation

¹ Female connector A complies with DIN 46247